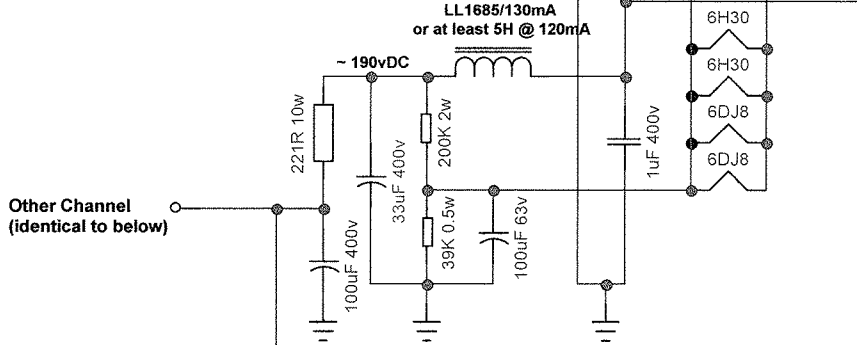


### Stereo Differential Headphone Amplifier

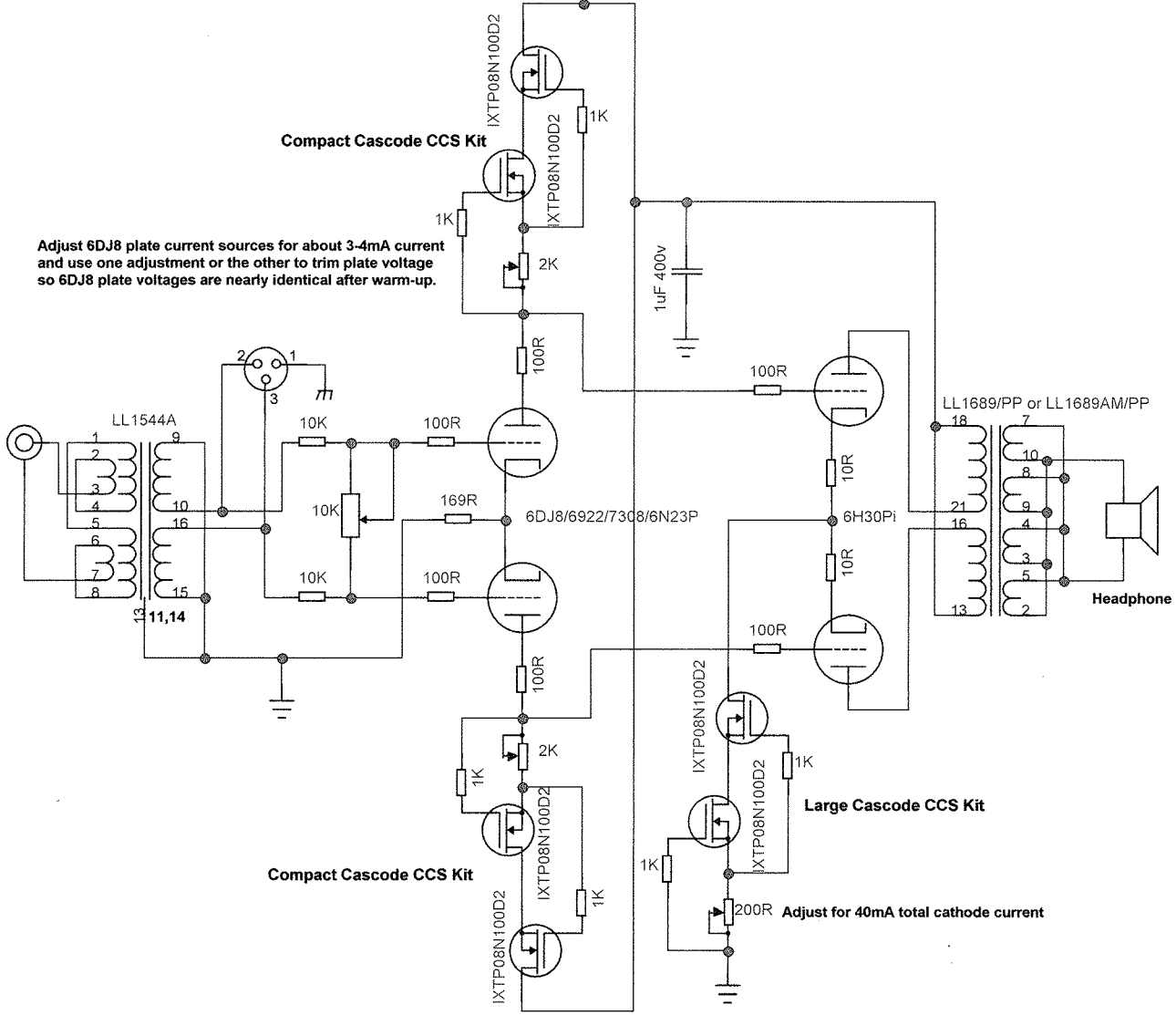
K&K Audio  
 May 2005, updated Feb 2011  
 Copyright (c) 2005-2014  
 All rights reserved



Other Channel  
 (identical to below)

#### Compact Cascode CCS Kit

Adjust 6DJ8 plate current sources for about 3-4mA current and use one adjustment or the other to trim plate voltage so 6DJ8 plate voltages are nearly identical after warm-up.



#### Compact Cascode CCS Kit

#### Large Cascode CCS Kit

Adjust for 40mA total cathode current

Headphone